

SIRONA DENTAL HOSES

The dental hoses for Tecnomed Italia dental units are made of silicone; they are Latex Free and comply with the UNI CEI EN ISO 13485 quality system.

The chemically stable gold-plated contacts ensure high electrical conductivity and maximum handpiece performance.

The supply tubes comply with REGULATION (EU) No. 10/2011 concerning plastic materials objects intended to meet food products and the exhaust tubes are resistant to the lubrication oils.

Tecnomed Italia dental hoses meet the strictest medical standards, complying with the essential requirements of the European Directives (93/42 / EEC) 2007/47 / EC on medical devices and 2000/95 / EC RoHs on the restriction of the use of certain specific substances in electrical and electronic equipment.

A complete range of dental hoses:

- Turbines
- Micromotors
- Scalers
- Syringes
- Freely Adaptable Dental Hoses

Features

- ⊕ High quality silicone sheath.
- ⊕ Latex free.
- ⊕ 12 months warranty


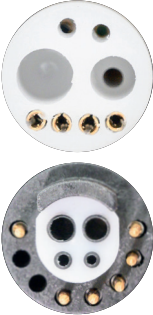

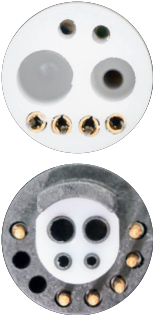
Technical data

- ⊕ Maximum pressure supply/return air 4,5 bar / 65 psi
- ⊕ Maximum pressure air/water spray 4 bar / 58 psi
- ⊕ Tensile strenght 70N


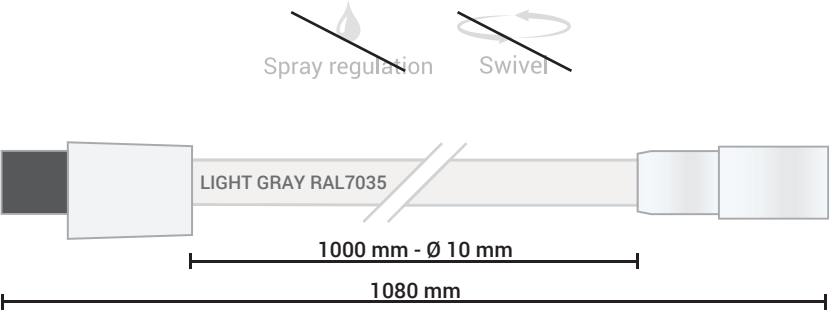
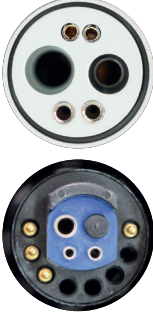

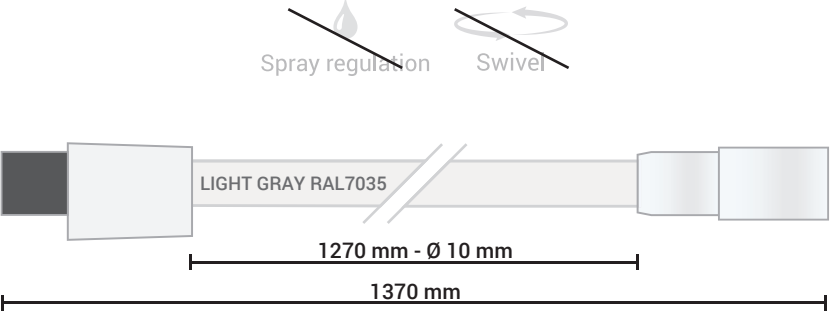
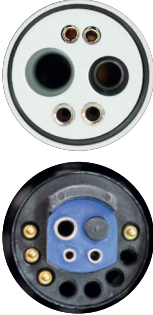

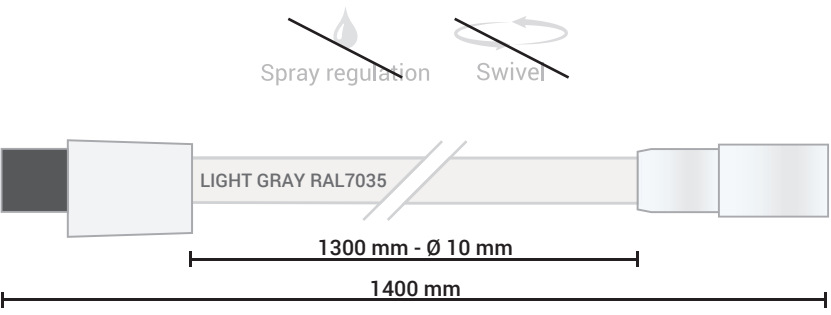
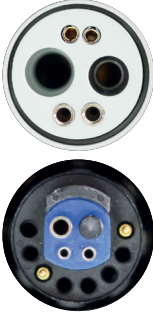
MICROMOTORS TYPE

HANDPIECE TYPE	DENTAL UNIT MODEL	IMAGE	LENGHT / DIAMETER / COLOR	CONNECTIONS	ORDER CODE
MICROMOTOR MC3 M40	C6 E3 C3 C3 +		<p>Spray regulation Swivel</p> <p>LIGHT GRAY RAL7035</p> <p>1000 mm - Ø 10 mm</p> <p>1100 mm</p>		PC233S
MICROMOTOR MC3 M40	C1 C1 + C2 C2 + C4 C4 + C5 + M1 +		<p>Spray regulation Swivel</p> <p>LIGHT GRAY RAL7035</p> <p>1350 mm - Ø 10 mm</p> <p>1450 mm</p>		PC233SL
MICROMOTOR EL1	C1 C1 + C2 C2 + C4 C4 + C5 + M1 +		<p>RES. 4,3 KΩ</p> <p>Spray regulation Swivel</p> <p>LIGHT GRAY RAL7035</p> <p>1300 mm - Ø 10 mm</p> <p>1380 mm</p>		PC224C4N


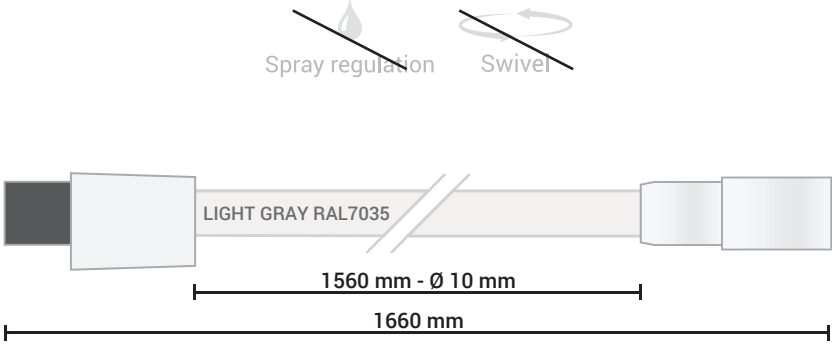
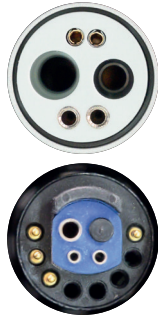
MICROMOTORS TYPE

HANDPIECE TYPE	DENTAL UNIT MODEL	IMAGE	LENGHT / DIAMETER / COLOR	CONNECTIONS	ORDER CODE
MICROMOTOR EL1	C3 C3 + C6		<p>RES. 4,3 KΩ</p> <p>Spray regulation Swivel</p> <p>LIGHT GRAY RAL7035</p> <p>1000 mm - Ø 10 mm</p> <p>1080 mm</p>		PC224SN
MICROMOTOR EL1	C8 C8 + PRO FEEL		<p>RES. 30,4 KΩ</p> <p>Spray regulation Swivel</p> <p>LIGHT GRAY RAL7035</p> <p>1350 mm - Ø 10 mm</p> <p>1450 mm</p>		PC224S/2N

HIGHSPEED TYPE

HANDPIECE TYPE	DENTAL UNIT MODEL	IMAGE	LENGHT / DIAMETER / COLOR	CONNECTIONS	ORDER CODE
HIGHSPEED HSH	C6 E3 C3 C3 +		 <p>Spray regulation Swivel</p> <p>LIGHT GRAY RAL7035</p> <p>1000 mm - Ø 10 mm</p> <p>1080 mm</p>		PC204SN
HIGHSPEED HSH	A1, A2, A4, A5, AC, C1, C1 +, C2, C2 +, C4, C4 +, C5 +, E1, E2, E4, E5, EC, M1, C8+, PRO FEEL+, TENERO, SINIUS, INTEGO, INTEGO PRO		 <p>Spray regulation Swivel</p> <p>LIGHT GRAY RAL7035</p> <p>1270 mm - Ø 10 mm</p> <p>1370 mm</p>		PC204S/2N
HIGHSPEED HSH	C8 PRO FEEL +		 <p>Spray regulation Swivel</p> <p>LIGHT GRAY RAL7035</p> <p>1300 mm - Ø 10 mm</p> <p>1400 mm</p>		PC204S/2E

HIGHSPEED TYPE

HANDPIECE TYPE	DENTAL UNIT MODEL	IMAGE	LENGHT / DIAMETER / COLOR	CONNECTIONS	ORDER CODE
<p>HIGHSPEED HSH</p>	<p>A1, A2, A4, A5, AC, C1, C1 +, C2, C2 +, C4, C4 +, C5 +, E1, E2, E4, E5, EC, M1, M1 96, M1 +, TENERO, SINIUS, INTEGO, INTEGO PRO</p>		 <p>Spray regulation Swivel</p> <p>LIGHT GRAY RAL7035</p> <p>1560 mm - Ø 10 mm</p> <p>1660 mm</p>		<p>PC204S/2L</p>

SCALER TYPE

HANDPIECE TYPE	DENTAL UNIT MODEL	IMAGE	LENGHT / DIAMETER / COLOR	CONNECTIONS	ORDER CODE
SCALER EMS O. F.	C3 C3+ C6		<p>RES. 47 KΩ</p> <p>Spray regulation Swivel</p> <p>LIGHT GRAY RAL7035</p> <p>1000 mm - Ø 8 mm</p> <p>1100 mm</p>		PC237SEC
SCALER EMS O. F.	C8+ PRO FEEL + INTEGO INTEGO PRO		<p>Spray regulation Swivel</p> <p>LIGHT GRAY RAL7035</p> <p>1270 mm - Ø 8 mm</p> <p>1370 mm</p>		PC237SEW