

PLANMECA DENTAL HOSES

The dental hoses for Tecnomed Italia dental units are made of silicone; they are Latex Free and comply with the UNI CEI EN ISO 13485 quality system.

The chemically stable gold-plated contacts ensure high electrical conductivity and maximum handpiece performance.

The supply tubes comply with REGULATION (EU) No. 10/2011 concerning plastic materials objects intended to meet food products and the exhaust tubes are resistant to the lubrication oils.

Tecnomed Italia dental hoses meet the strictest medical standards, complying with the essential requirements of the European Directives (93/42 / EEC) 2007/47 / EC on medical devices and 2000/95 / EC RoHs on the restriction of the use of certain specific substances in electrical and electronic equipment.

A complete range of dental hoses:

- Turbines
- Micromotors
- Scalers
- Syringes
- Freely Adaptable Dental Hoses







Features

- ⊕ High quality silicone sheath.
- ⊕ Latex free.
- ⊕ 12 months warranty







Technical data

- ⊕ Maximum pressure supply/return air 4,5 bar / 65 psi
- ⊕ Maximum pressure air/water spray 4 bar / 58 psi
- ⊕ Tensile strenght 70N

MICROMOTORS TYPE

HANDPIECE TYPE	DENTAL UNIT MODEL	IMAGE	LENGHT / DIAMETER / COLOR	CONNECTIONS	ORDER CODE
MICROMOTOR MC3			<p>RES. 83 Ω</p> <p>Spray regulation Swivel</p> <p>LIGHT GRAY RAL7035</p> <p>890 mm - Ø 10 mm</p> <p>980 mm</p>		PC812P
MICROMOTOR MC3			<p>RES. 83 Ω</p> <p>Spray regulation Swivel</p> <p>LIGHT GRAY RAL7035</p> <p>925 mm - Ø 10 mm</p> <p>1015 mm</p>		PC812PL
MICROMOTOR MC3			<p>RES. 825 Ω</p> <p>Spray regulation Swivel</p> <p>LIGHT GRAY RAL7035</p> <p>890 mm - Ø 10 mm</p> <p>980 mm</p>		PC812P2







MICROMOTORS TYPE

HANDPIECE TYPE	DENTAL UNIT MODEL	IMAGE	LENGHT / DIAMETER / COLOR	CONNECTIONS	ORDER CODE
MICROMOTOR MC3			<p>RES. 825 Ω</p> <p>Spray regulation Swivel</p> <p>LIGHT GRAY RAL7035</p> <p>925 mm - Ø 10 mm</p> <p>1015 mm</p>		PC812PL2
MICROMOTOR K190 K196 K200			<p>RES. 267 Ω</p> <p>Spray regulation Swivel</p> <p>LIGHT GRAY RAL7035</p> <p>925 mm - Ø 10 mm</p> <p>1015 mm</p>		PC823PL
MICROMOTOR K190 K196 K200			<p>RES. 267 Ω</p> <p>Spray regulation Swivel</p> <p>LIGHT GRAY RAL7035</p> <p>900 mm - Ø 10 mm</p> <p>1000 mm</p>		PC823P





MICROMOTORS TYPE

HANDPIECE TYPE	DENTAL UNIT MODEL	IMAGE	LENGHT / DIAMETER / COLOR	CONNECTIONS	ORDER CODE
MICROMOTOR K190 K196 K200			<p>Spray regulation Swivel</p> <p>LIGHT GRAY RAL7035</p> <p>900 mm - Ø 10 mm</p> <p>1000 mm</p>		PC823P/2
MICROMOTOR MINETTO		<p>OUT OF STOCK</p>	<p>Spray regulation Swivel</p> <p>EXTENSION STRING</p> <p>LIGHT GRAY RAL7035</p> <p>1800 mm - Ø 10 mm</p> <p>https://vimeo.com/480812578</p>		PC888P


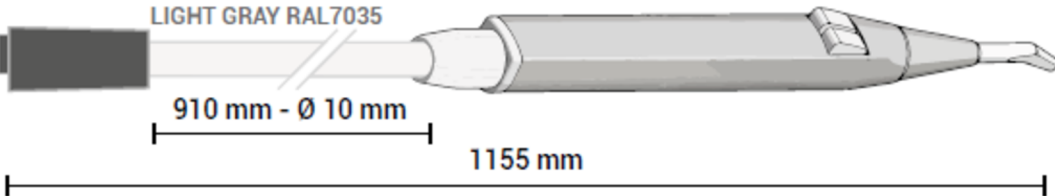

HIGHSPEED TYPE

HANDPIECE TYPE	DENTAL UNIT MODEL	IMAGE	LENGHT / DIAMETER / COLOR	CONNECTIONS	ORDER CODE
HIGHSPEED HSH			<p>RES. 825 Ω</p> <p>Spray regulation Swivel</p> <p>LIGHT GRAY RAL7035</p> <p>925 mm - Ø 10 mm</p> <p>1015 mm</p>		PC801P
HIGHSPEED HSH			<p>RES. 430 Ω</p> <p>Spray regulation Swivel</p> <p>LIGHT GRAY RAL7035</p> <p>825 mm - Ø 10 mm</p> <p>915 mm</p>		PC802P
HIGHSPEED HSH			<p>RES. 430 Ω</p> <p>Spray regulation Swivel</p> <p>LIGHT GRAY RAL7035</p> <p>840 mm - Ø 10 mm</p> <p>930 mm</p>		PC802PL

HIGHSPEED TYPE

HANDPIECE TYPE	DENTAL UNIT MODEL	IMAGE	LENGTH / DIAMETER / COLOR	CONNECTIONS	ORDER CODE
HIGHSPEED HSH			<p>RES. 430 Ω</p> <p>Spray regulation Swivel</p> <p>LIGHT GRAY RAL7035</p> <p>925 mm - Ø 10 mm</p> <p>1015 mm</p>		PC803PVL
HIGHSPEED HSH			<p>RES. 560 Ω</p> <p>Spray regulation Swivel</p> <p>LIGHT GRAY RAL7035</p> <p>825 mm - Ø 10 mm</p> <p>915 mm</p>		PC803P





SYRINGE TYPE

HANDPIECE TYPE	DENTAL UNIT MODEL	IMAGE	LENGHT / DIAMETER / COLOR	CONNECTIONS	ORDER CODE
<p>SYRINGE LUZZANI 3F</p>			<p>RES. 1,78 KΩ</p> <p>LIGHT GRAY RAL7035</p> <p>910 mm - Ø 10 mm</p> <p>1155 mm</p> 		<p>PC845P</p>

SCALER TYPE

HANDPIECE TYPE	DENTAL UNIT MODEL	IMAGE	LENGHT / DIAMETER / COLOR	CONNECTIONS	ORDER CODE
SCALER EMS			<p>RES. 1,33 KΩ</p> <p>Spray regulation Swivel </p> <p>LIGHT GRAY RAL7035</p> <p>930 mm - Ø 7 mm</p> <p>1020 mm</p>		PC834P
SCALER EMS O. F.			<p>RES. 1,33 KΩ</p> <p>Spray regulation Swivel </p> <p>LIGHT GRAY RAL7035</p> <p>930 mm - Ø 8 mm</p> <p>1020 mm</p>		PC834PL
SCALER SATELEC O. F.			<p>RES. 1,2 KΩ</p> <p>Spray regulation Swivel </p> <p>LIGHT GRAY RAL7035</p> <p>930 mm - Ø 8 mm</p> <p>1020 mm</p>		PC834PSL

SCALER TYPE

HANDPIECE TYPE	DENTAL UNIT MODEL	IMAGE	LENGHT / DIAMETER / COLOR	CONNECTIONS	ORDER CODE
SCALER SATELEC			<p>RES. 1,2 KΩ</p> <p>Spray regulation  Swivel </p> <p>LIGHT GRAY RAL7035</p> <p>930 mm - Ø 7 mm</p> <p>1020 mm</p>		PC834PS