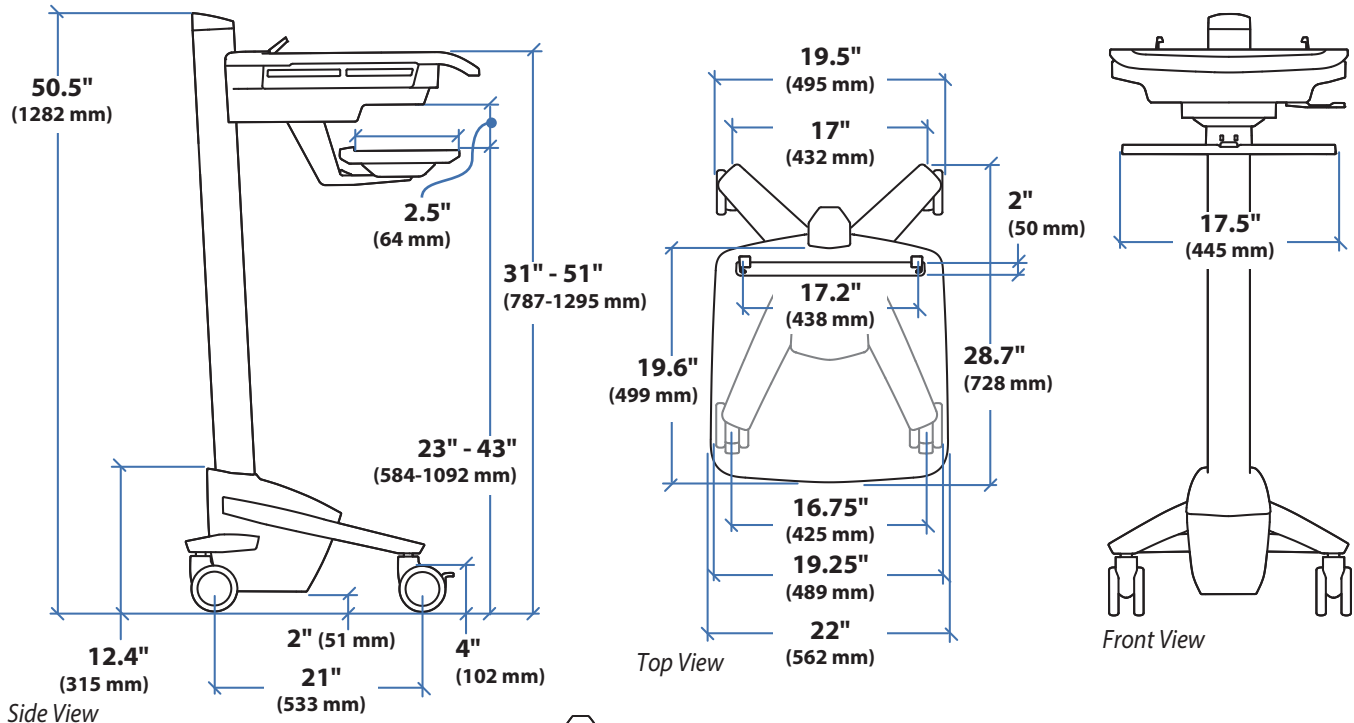
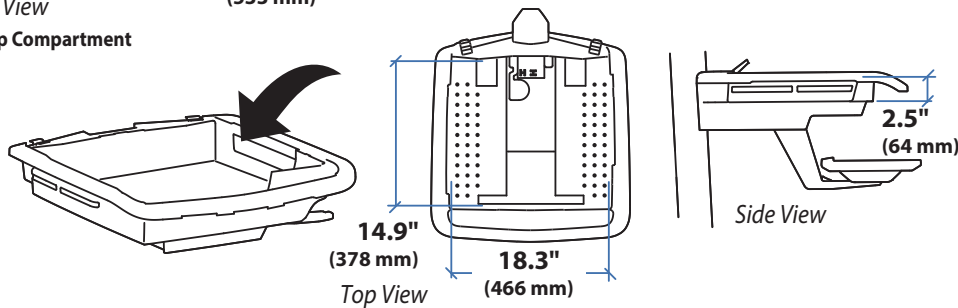


### Dimensions

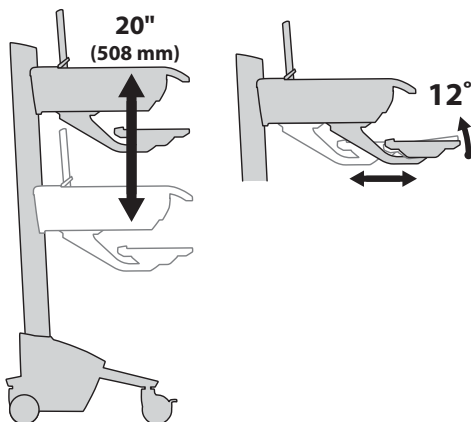


Side View  
Laptop Compartment



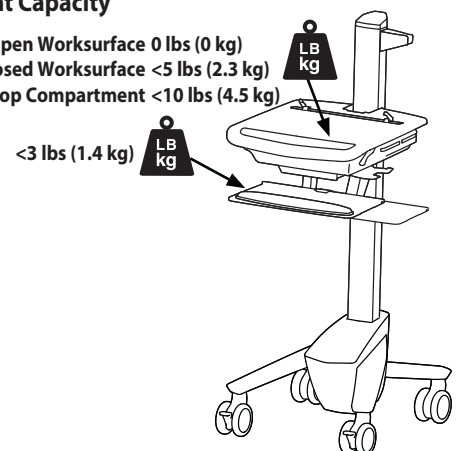
When figuring dimensions, include mounted accessories, protruding cables and port replicators or docking stations.

### Range of Motion

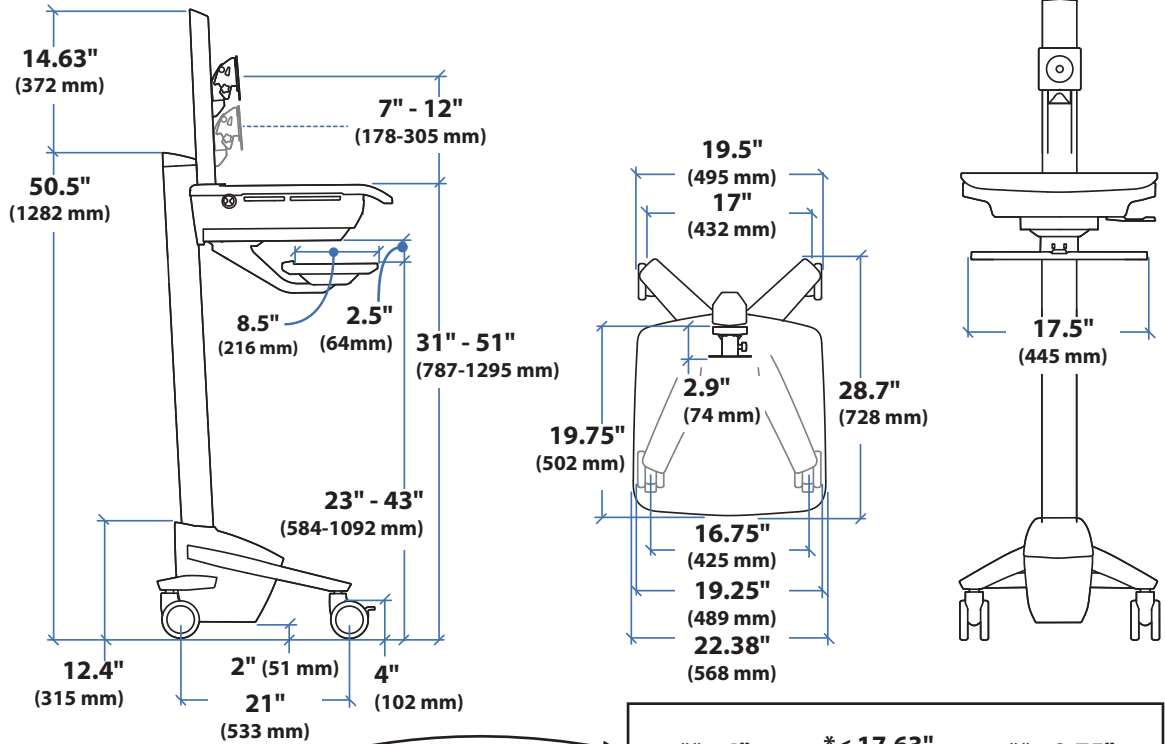


### Weight Capacity

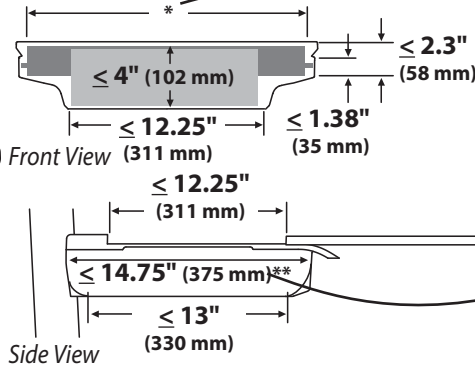
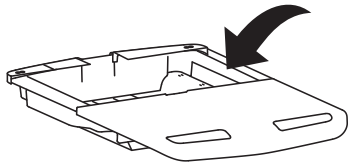
Open Worksurface 0 lbs (0 kg)  
 Closed Worksurface <5 lbs (2.3 kg)  
 Laptop Compartment <10 lbs (4.5 kg)



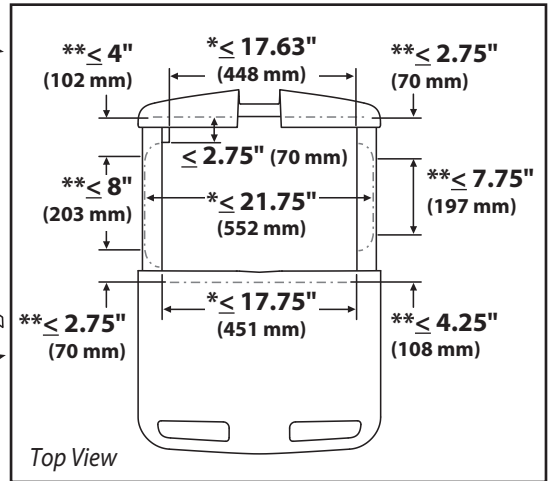
### Dimensions



### CPU Compartment

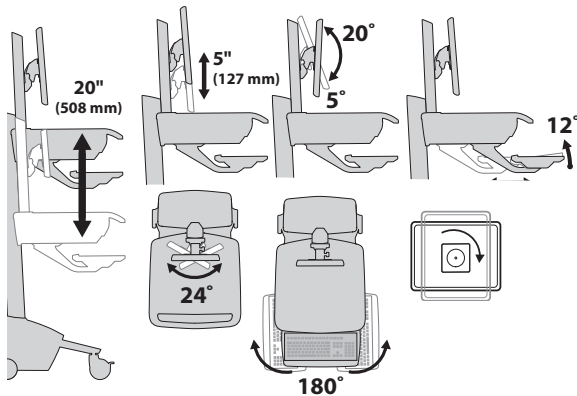


When figuring dimensions, include mounted accessories, protruding cables and port replicators or docking stations.



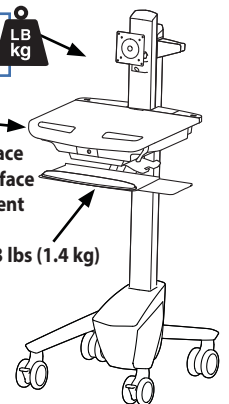
### Weight Capacity

With Independent LCD Lift:	Without Independent LCD Lift:
<14 lbs (6.4 kg)	20 lbs (9 kg)

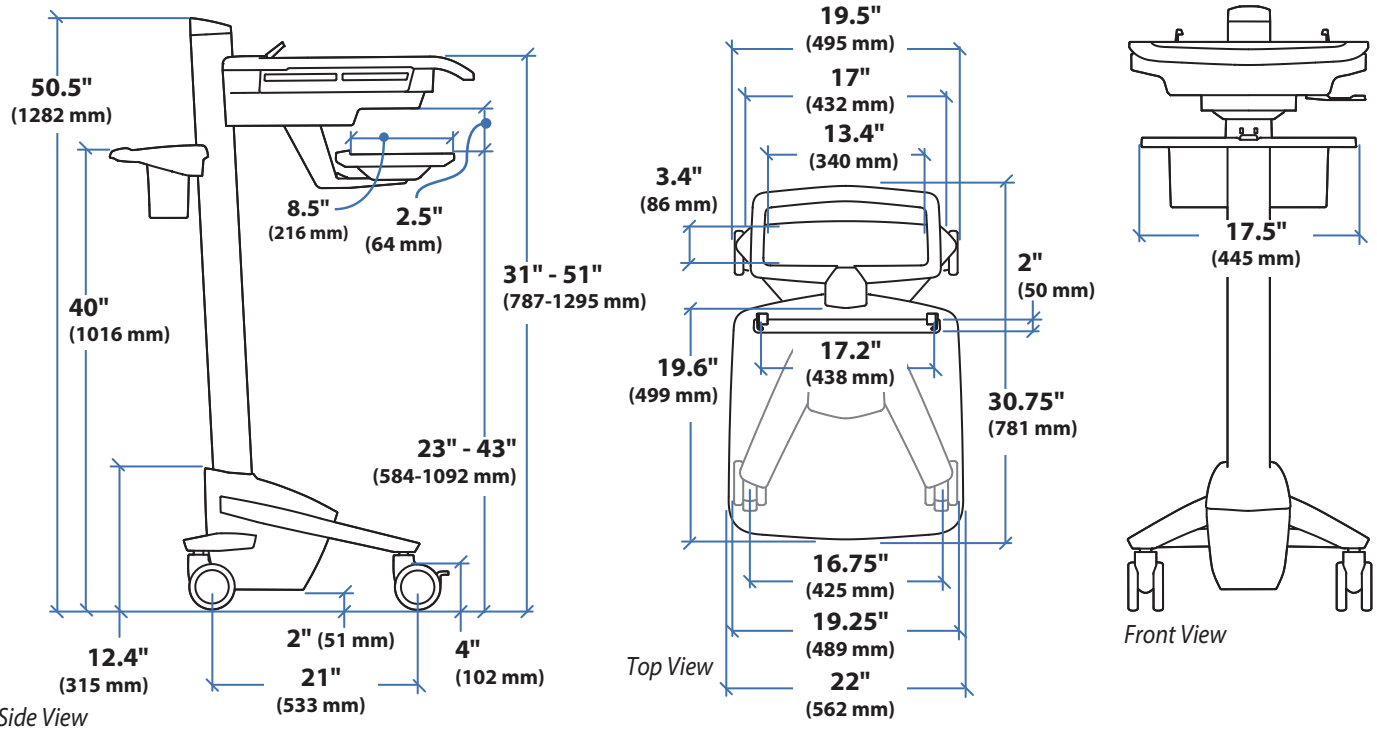


0 lbs (0 kg) Open Worksurface  
 <5 lbs (2.3 kg) Closed Worksurface  
 <13 lbs (5.9 kg) CPU Compartment

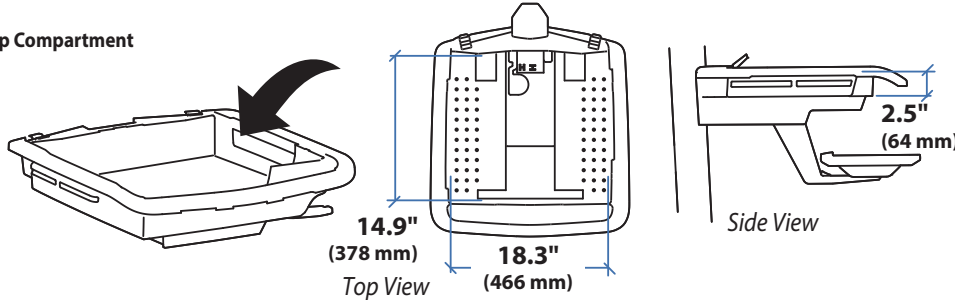
Combined LCD and CPU Compartment weight: <27 lbs (12.2 kg).  
 If the combined LCD and CPU weight is greater than 27 lbs (12.2 kg) then the CPU must be mounted to the rear of the cart using the Universal CPU Holder accessory (ordered separately).



### Dimensions

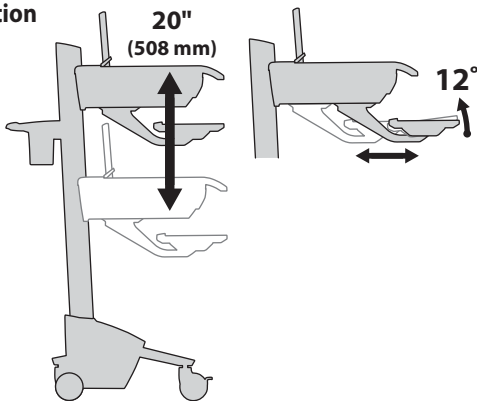


### Laptop Compartment



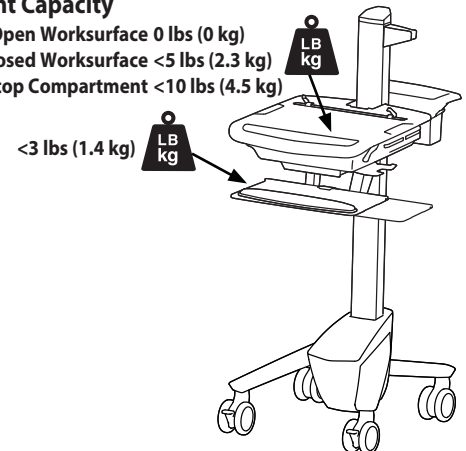
When figuring dimensions, include mounted accessories, protruding cables and port replicators or docking stations.

### Range of Motion

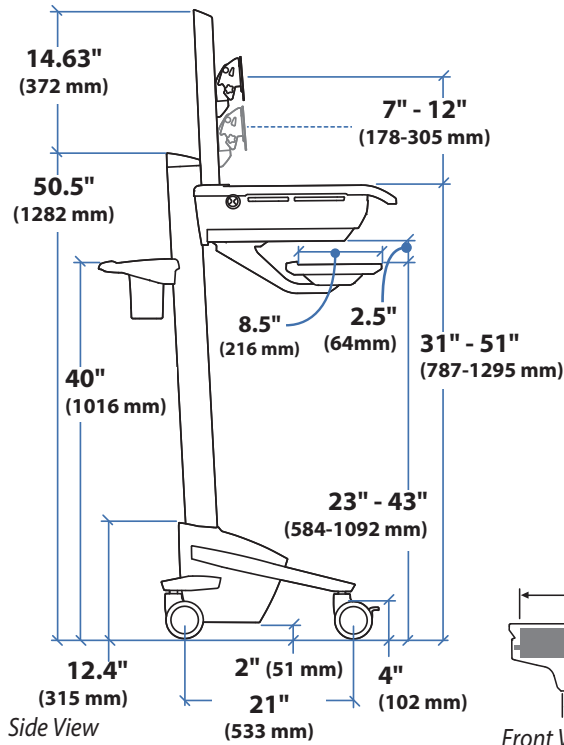


### Weight Capacity

- Open Worksurface 0 lbs (0 kg)
- Closed Worksurface <5 lbs (2.3 kg)
- Laptop Compartment <10 lbs (4.5 kg)

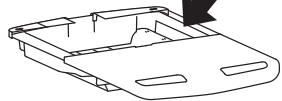


### Dimensions

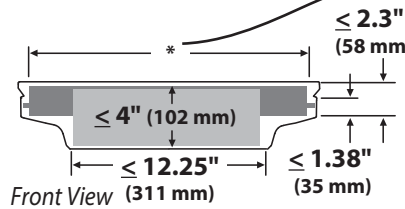


Side View

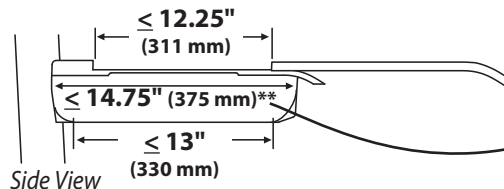
### CPU Compartment



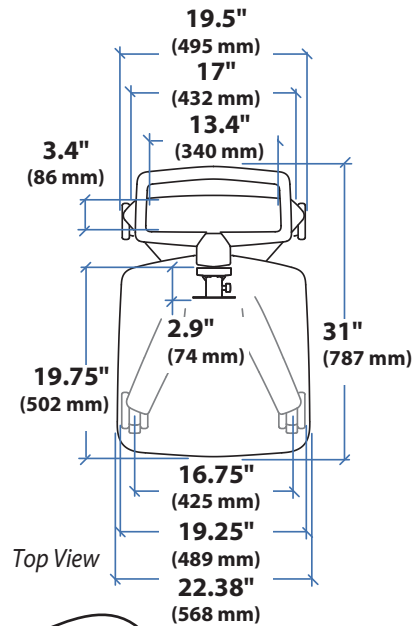
When figuring dimensions, include mounted accessories, protruding cables and port replicators or docking stations.



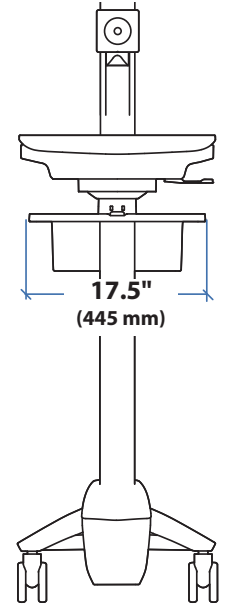
Front View



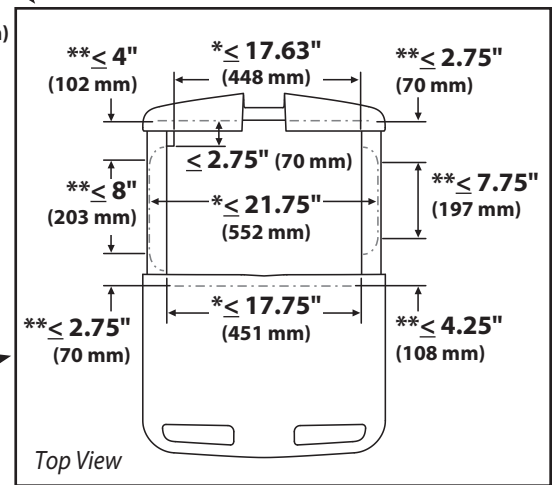
Side View



Top View

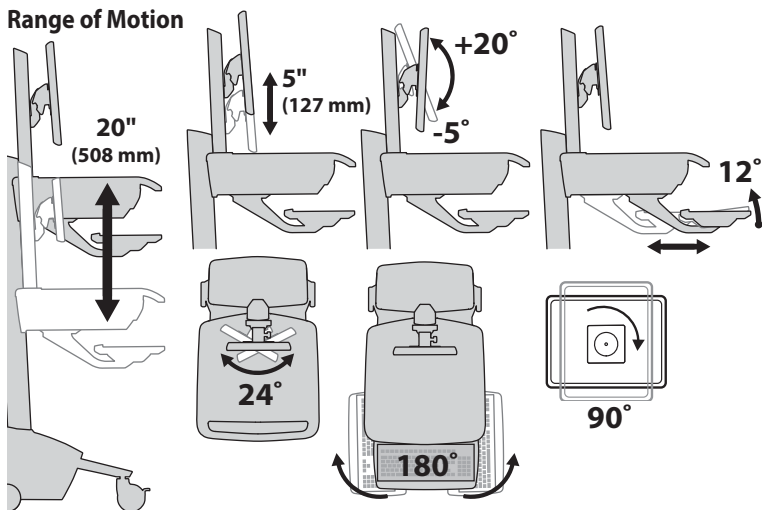


Front View



Top View

### Range of Motion



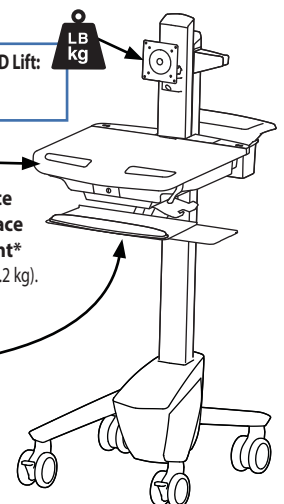
### Weight Capacity

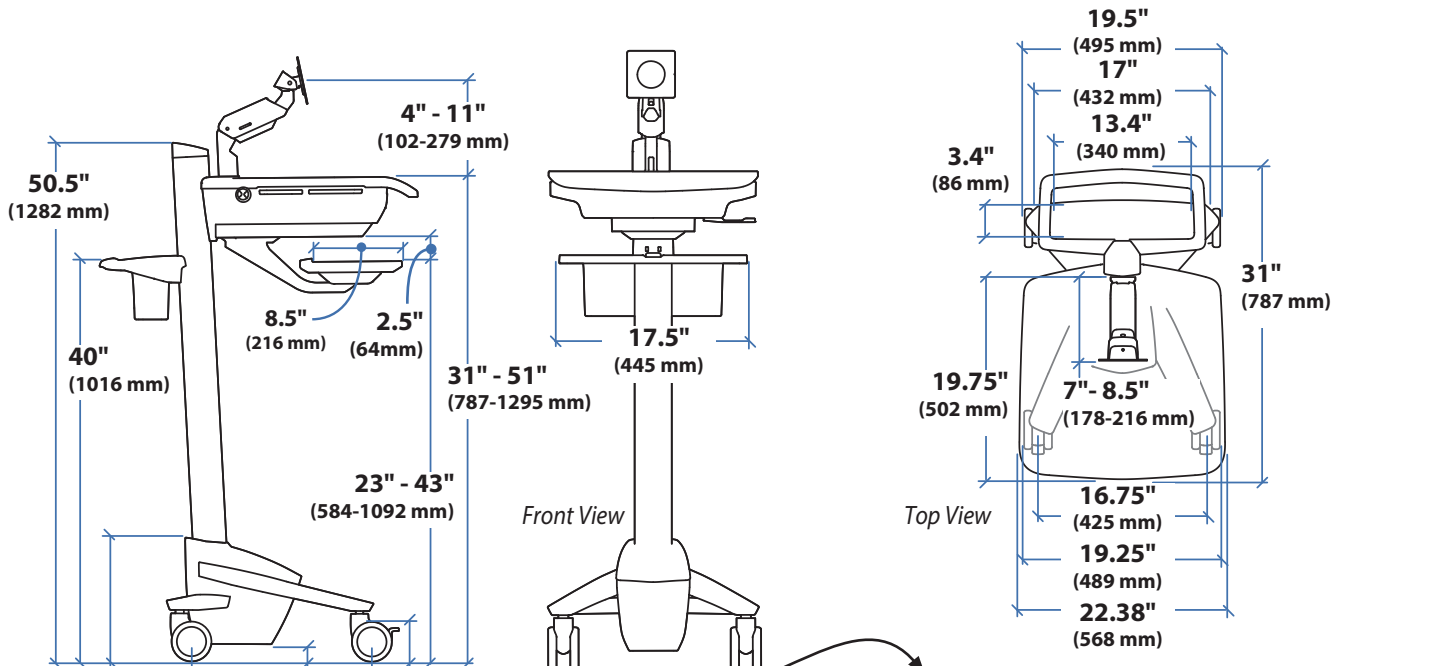
With Independent LCD Lift: <14 lbs (6.4 kg)  
Without Independent LCD Lift: 20 lbs (9 kg)

0 lbs (0 kg) Open Worksurface  
<5 lbs (2.3 kg) Closed Worksurface  
<13 lbs (5.9 kg) CPU Compartment\*

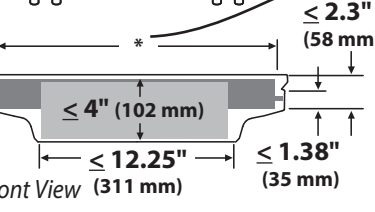
\*Combined LCD and CPU Compartment weight: <27 lbs (12.2 kg).

<3 lbs (1.4 kg)

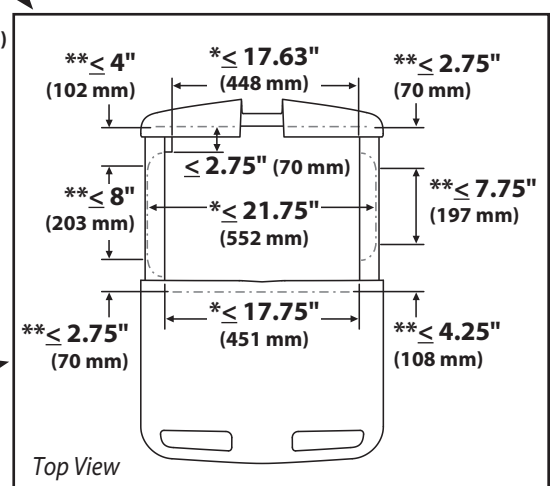




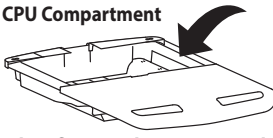
Side View



Front View

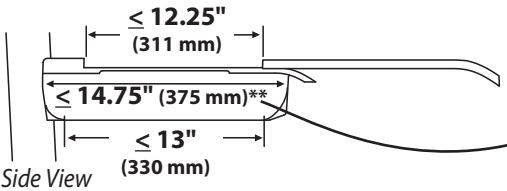


Top View



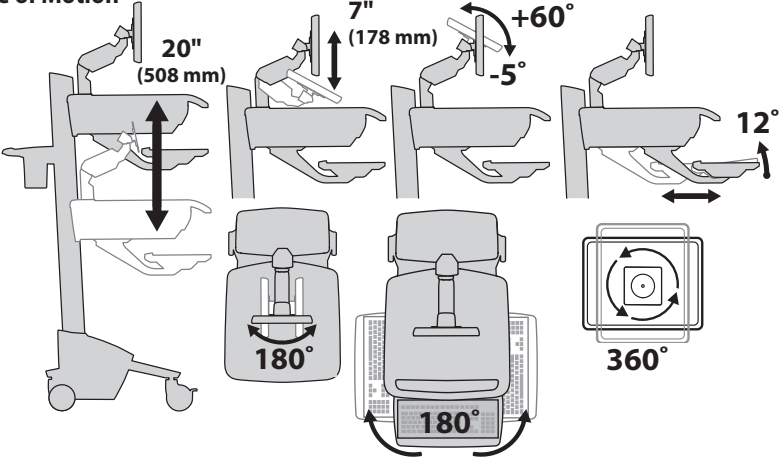
CPU Compartment

When figuring dimensions, include mounted accessories, protruding cables and port replicators or docking stations.

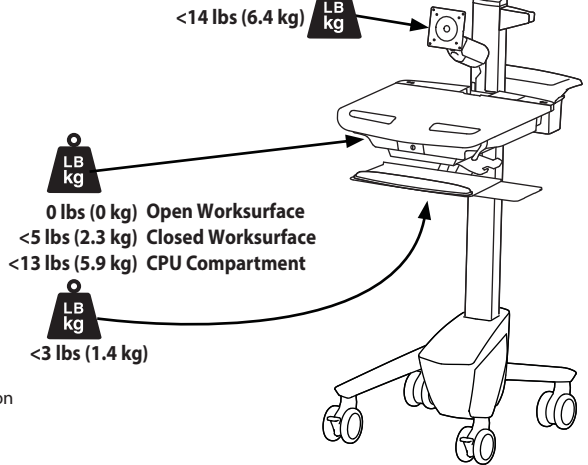


Side View

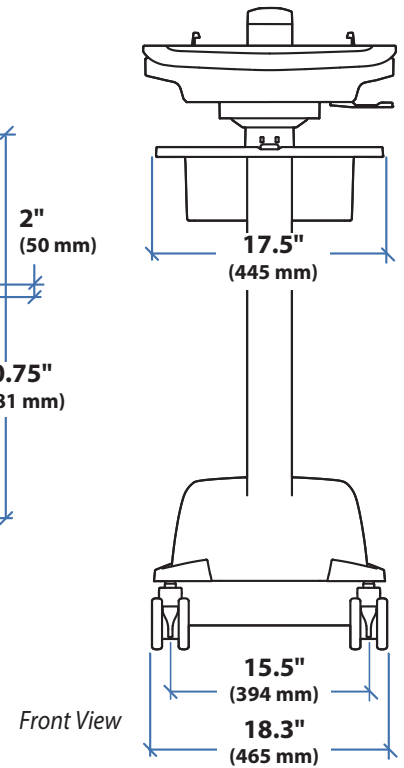
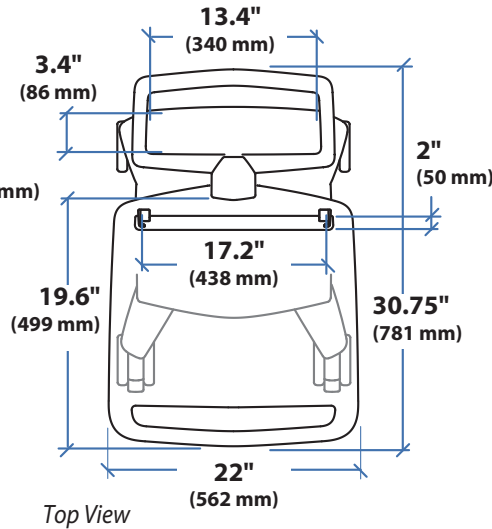
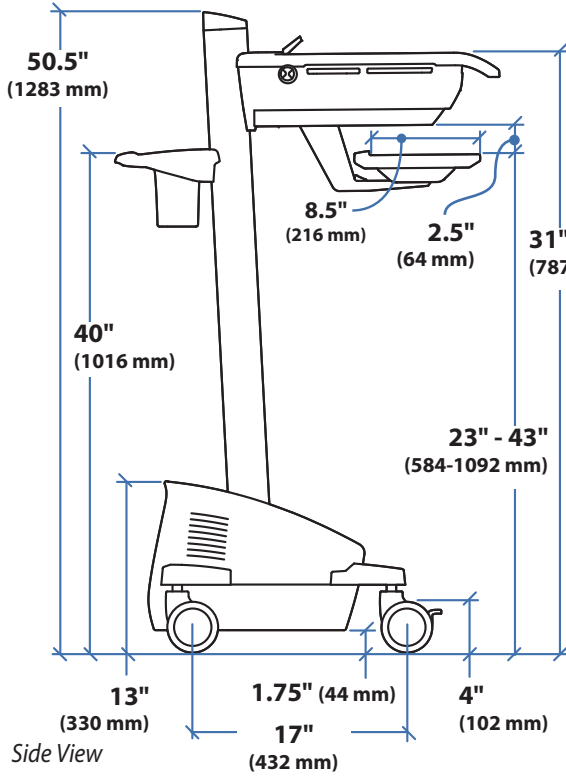
### Range of Motion



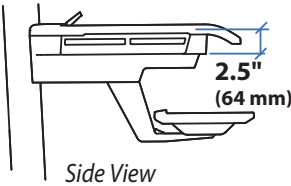
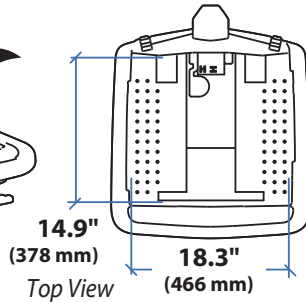
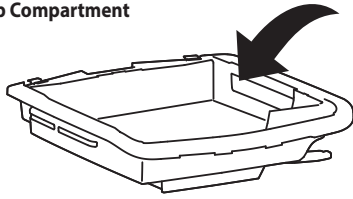
### Weight Capacity



### Dimensions

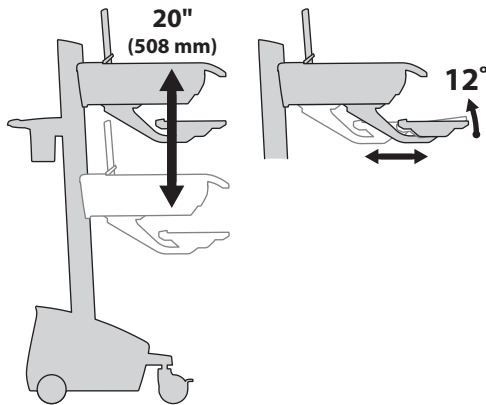


### Laptop Compartment



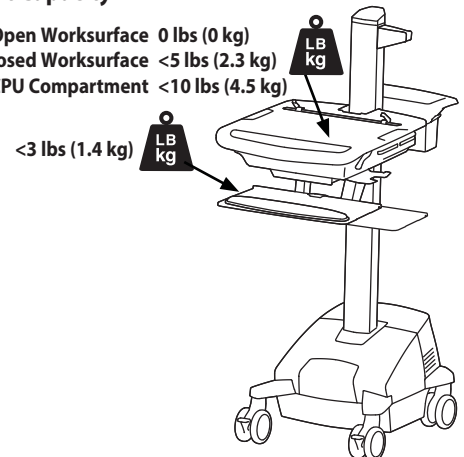
When figuring dimensions, include mounted accessories, protruding cables and port replicators or docking stations.

### Range of Motion



### Weight Capacity

- Open Worksurface 0 lbs (0 kg)
- Closed Worksurface <5 lbs (2.3 kg)
- CPU Compartment <10 lbs (4.5 kg)



#### Americas Sales and Corporate Headquarter

St. Paul, MN USA  
(800) 888-8458  
+1-651-681-7600  
www.ergotron.com  
sales@ergotron.com

#### EMEA Sales

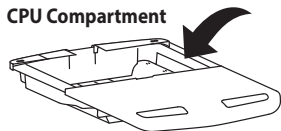
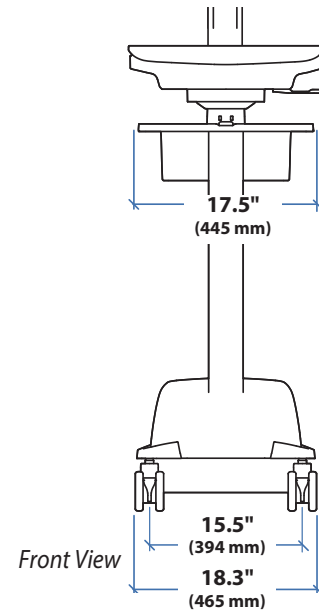
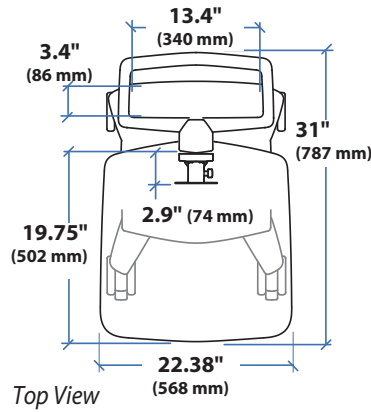
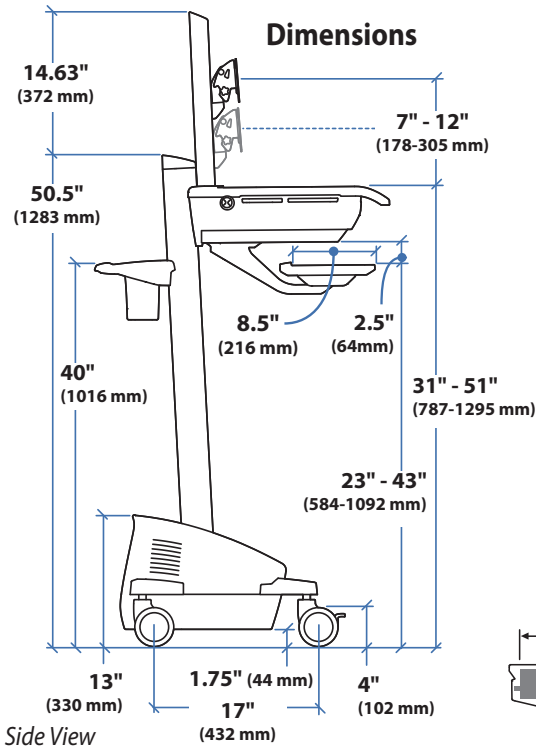
Amersfoort, The Netherlands  
+31 33 45 45 600  
www.ergotron.com  
info.eu@ergotron.com

#### APAC Sales

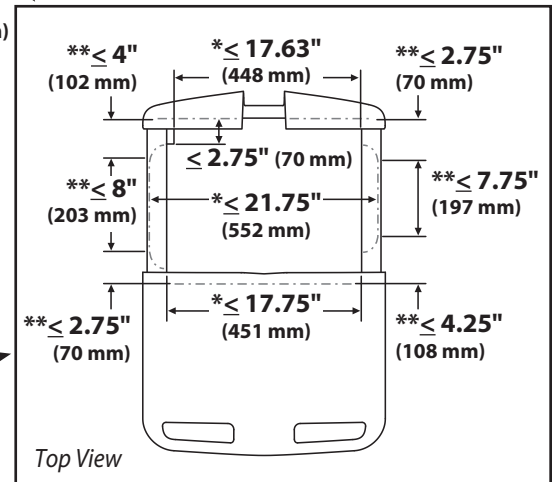
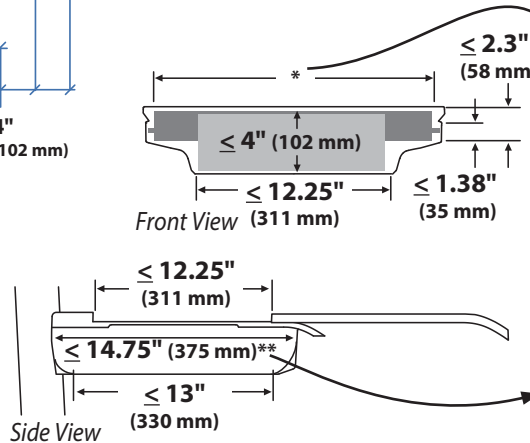
Tokyo, Japan  
www.ergotron.com  
apaccustomerservice@ergotron.com

#### Worldwide OEM Sales

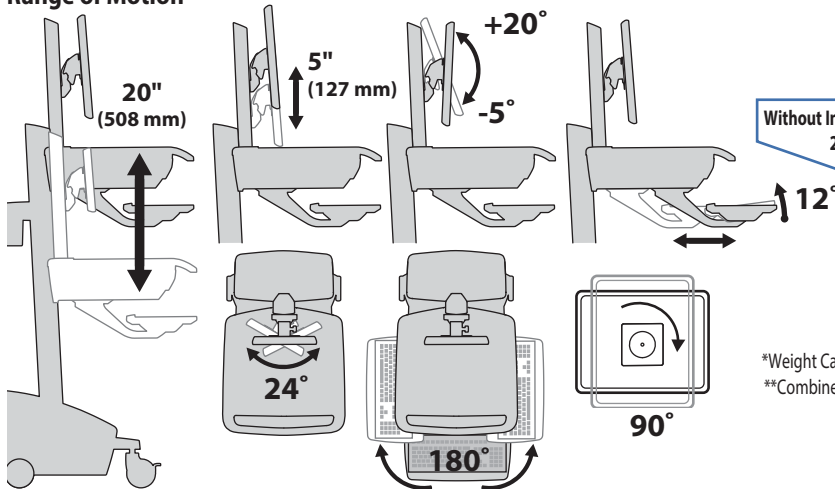
www.ergotron.com  
info.oem@ergotron.com



When figuring dimensions, include mounted accessories, protruding cables and port replicators or docking stations.



### Range of Motion



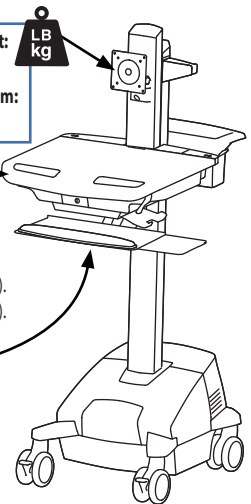
### Weight Capacity

Without Independent LCD Lift: 20 lbs (9 kg)  
With Independent LCD Lift: 6-14 lbs (2.7-6.4 kg)  
Carts with LiFe Power System: 5-11 lbs (2.3-5 kg)

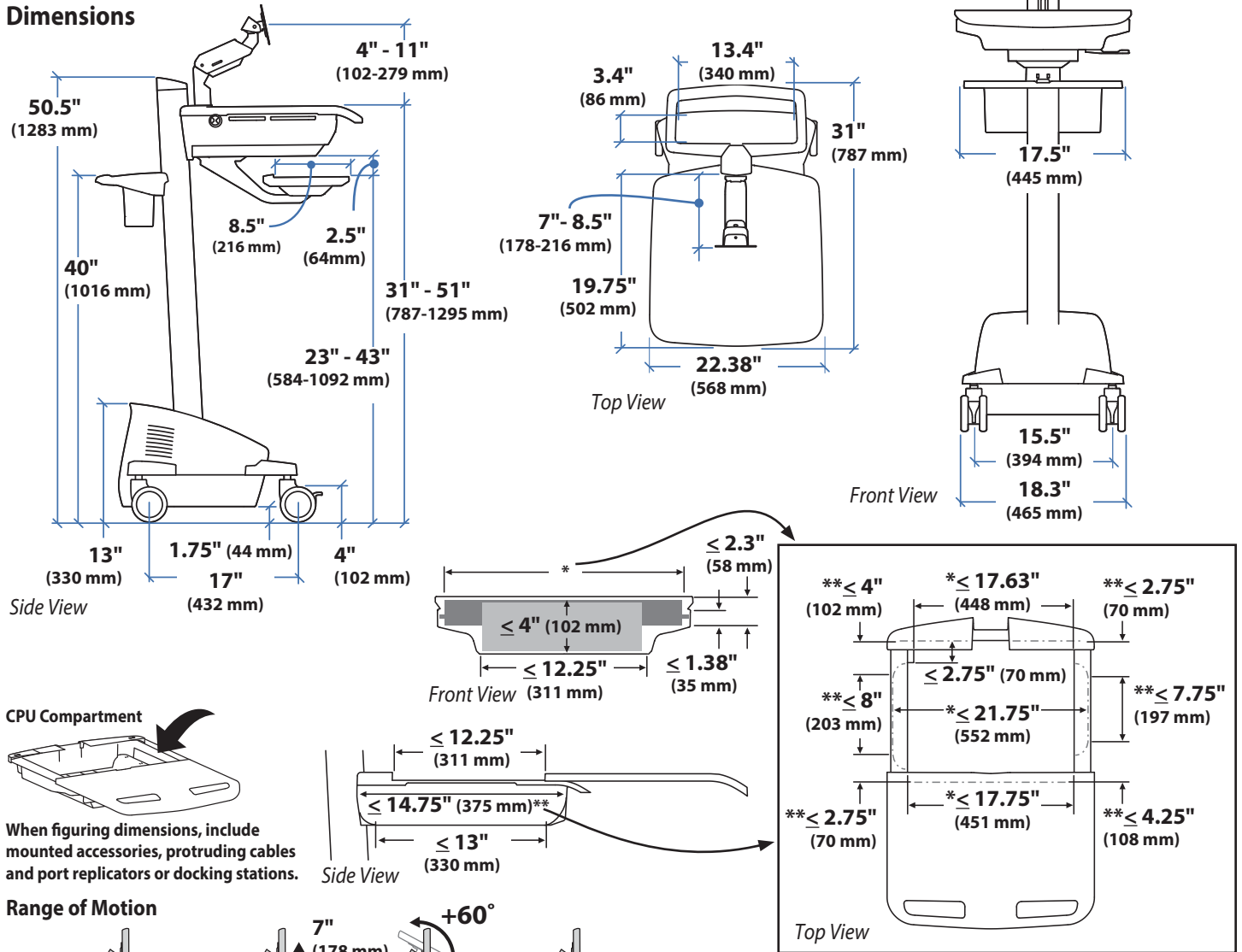
0 lbs (0 kg) Open Worksurface  
<5 lbs (2.3 kg) Closed Worksurface\*  
<13 lbs (5.9 kg) CPU Compartment\*\*

\*Weight Capacity for carts with LiFe Power System is <3 lbs (1.4 kg).  
\*\*Combined LCD and CPU Compartment weight: <27 lbs (12.2 kg).

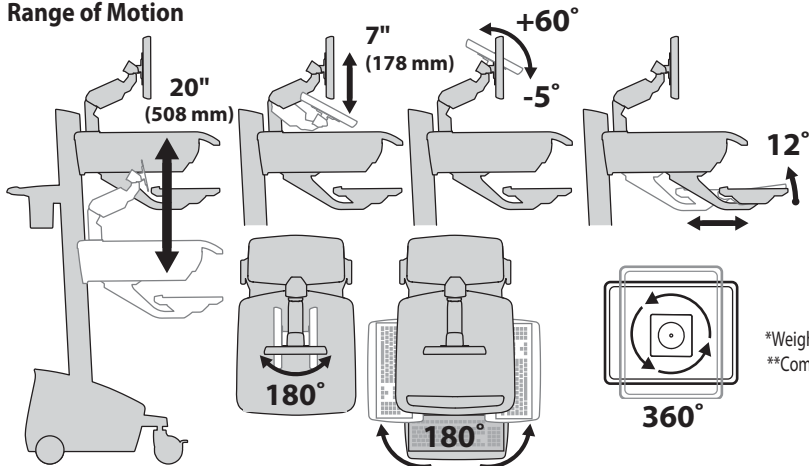
<3 lbs (1.4 kg)



### Dimensions



### Range of Motion



### Weight Capacity: <14 lbs (6.4 kg)

Carts with LiFe Power System:  
5-11 lbs (2.3-5 kg)

0 lbs (0 kg) Open Worksurface

<5 lbs (2.3 kg) Closed Worksurface\*

<13 lbs (5.9 kg) CPU Compartment\*\*

\*Weight Capacity for carts with LiFe Power System is <3 lbs (1.4kg).

\*\*Combined LCD and CPU Compartment weight: <27 lbs (12.2 kg).

<3 lbs (1.4 kg)