



# Good Light

Surgical Lights Line



Do you have problems seeing while working?



SURGICAL MULTILED  
160,000 lux

ESACAM  
60,000 lux  
30x camera



What if you could work like this  
instead?



## WE PROVIDE THE LIGHT YOU NEED

Light. Without light there is no sight. Dentists and surgeons need good vision to carry out their work under conditions of optimal visual well-being and safety, so as to achieve high-quality results.

Good light is therefore essential for good vision. Add a healthy dose of innovation to this concept and the result is Tecnomed Italia's new surgical lights.

The lights are based on the very latest LEDs able to provide excellent lighting with very low energy consumption. They are therefore able to produce more light while heating less, doing away with those annoying shadow areas and offering a longer life than traditional lights. It is also possible to adjust not only the light intensity but, in some models, also the colour temperature. Light, quality and savings forge an unbreakable bond.

What if during an operation you need to see the details that are difficult with the human eye, to record and share directly from the light itself? Well, now you can.





## TWO COMPREHENSIVE LINES

Tecnomed's range of surgical lamps is made up of two different lines that offer exceptional performance in terms of brightness and operation and which are therefore the ideal solution for any work need.

### SURGICAL MULTILED LINE

The light par excellence. Ideal for modern operating theatres and outpatient clinics, indispensable for complicated surgeries such as maxillofacial where constant and consistent light is vital. Illuminates up to 300,000 lux in the double head version.

### ESA LINE

From light to sharing. Ideal for dental practices and clinics, lighter than an operating light but brighter than the average competing lights. Simple and versatile, it is also available in the ESACAM version with built-in video camera. Illuminates up to 120,000 lux in the double head version.



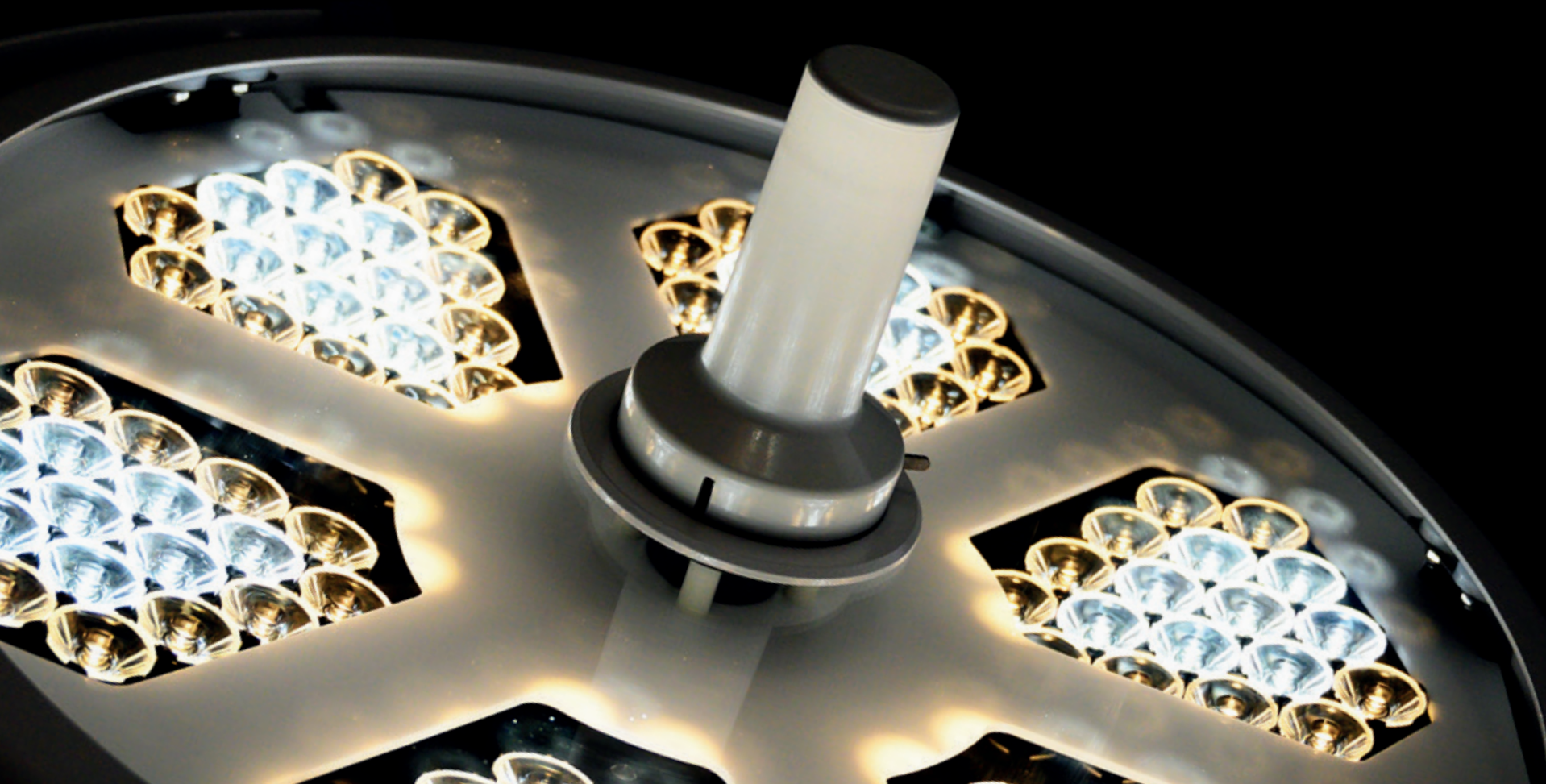
Do you want to do everything in the  
sunlight?



SURGICAL MULTILED  
300,000 lux

Here's the solution

# SURGICAL MULTILED LINE







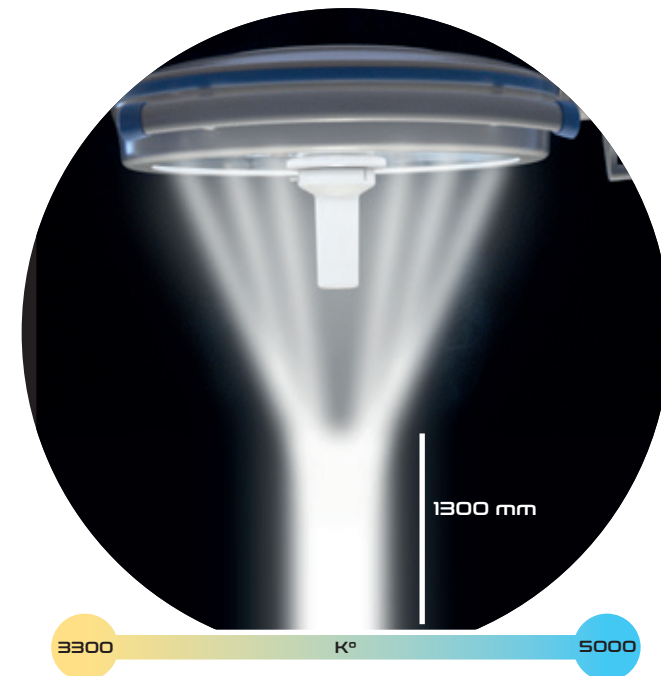
# Illuminating



Our SURGICAL multiLED surgical lights offer excellent illumination for all dental and non-dental surgical needs. The functional and linear design, combined with a lightweight structure, make for unrivalled easy-to-handle lights. The suspension system with balanced articulated arm with 6 joints allows stable and precise positioning.



The SURGICAL multiLED models are equipped with a colour temperature compensation technology ranging from 3300 K° to 5000 K° and manual adjustment of the light intensity using the control panel. They are also equipped with the “Endo mode” function; that is the support light for endoscopy operations offering light intensity and colour temperature selection. The intensity can easily be seen on the v-meter bar located on the control panel. The total reflection optical system is made with CAD/CAM technology, its illumination depth is up to 1300 mm.



## EASY MAINTENANCE

The list of advantages also includes simple cleaning, thanks to its fully sealed construction, and hassle-free maintenance. The lower part of the lighthead is made of anti-shock and disinfectant resistant material, which is durable and easy to clean. The handle can be detached and sterilised in an autoclave at 135°C.



## CONTROL PANEL FUNCTIONS



• Decreases the light intensity



• Increases the light intensity



• For selecting the colour temperature from 3300 to 5000 k°



• Endo light function



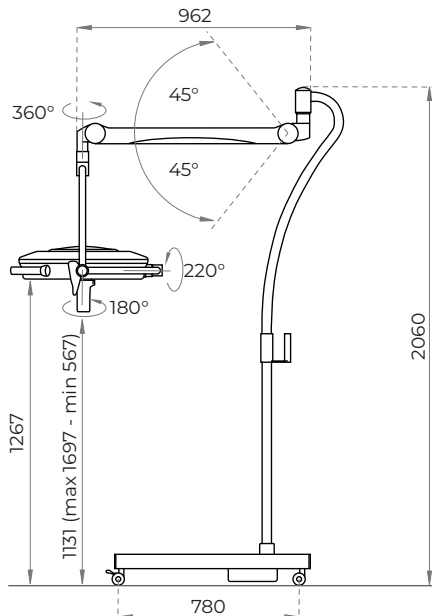
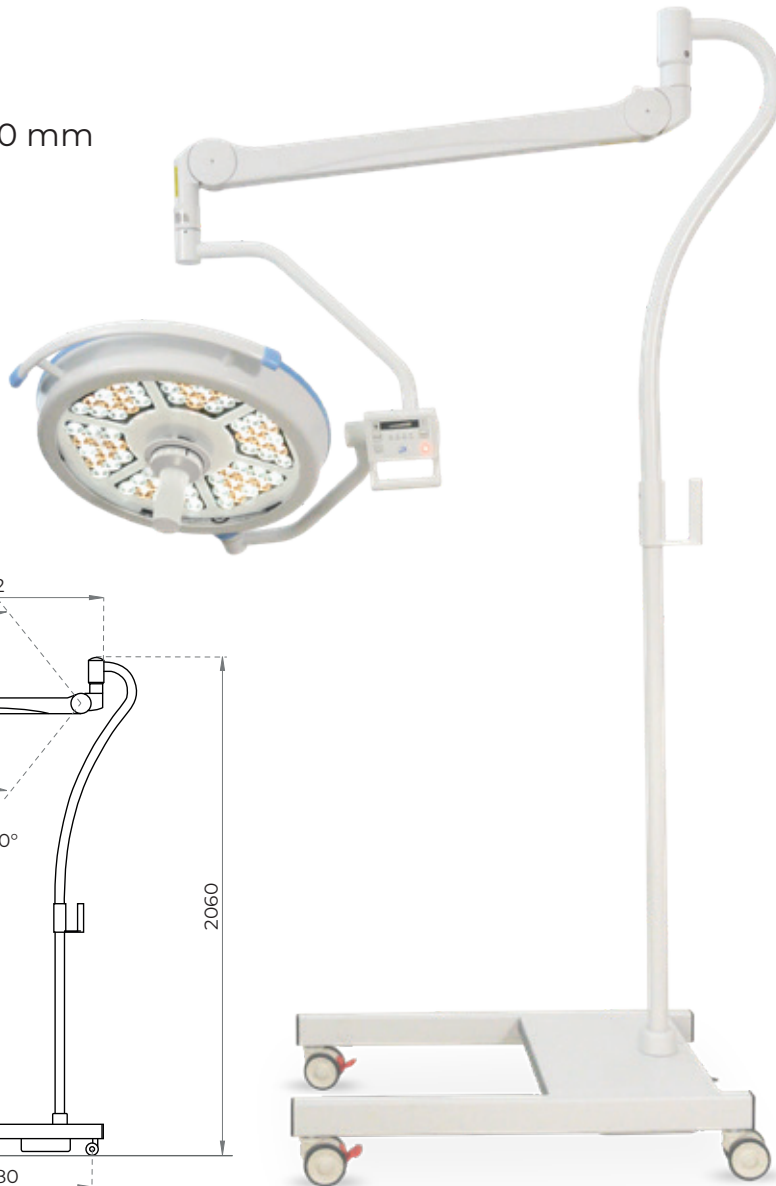
• On/Off

# The models

## ON STAND

- 140,000 Lux
- Ø reflector: 500 mm

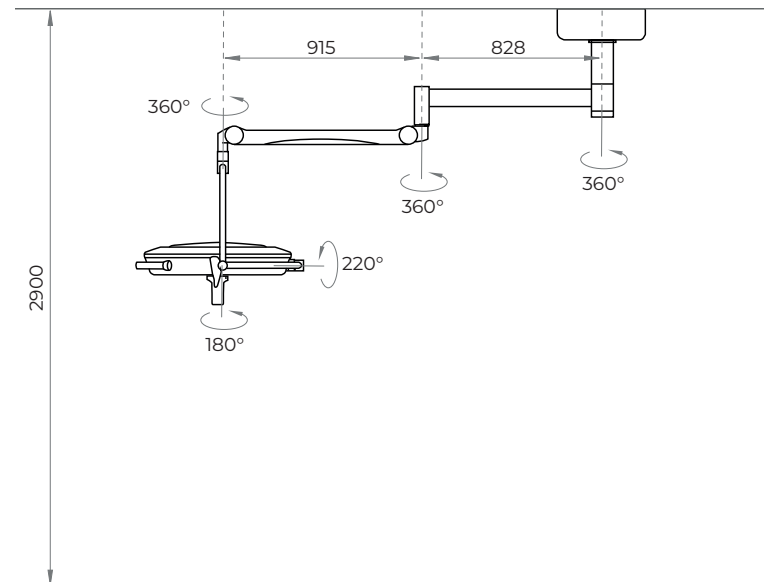
Code: **DE6.1215**



## SINGLE HEAD

- 160,000 Lux
- Ø reflector: 700 mm

Code: **DE6.160**

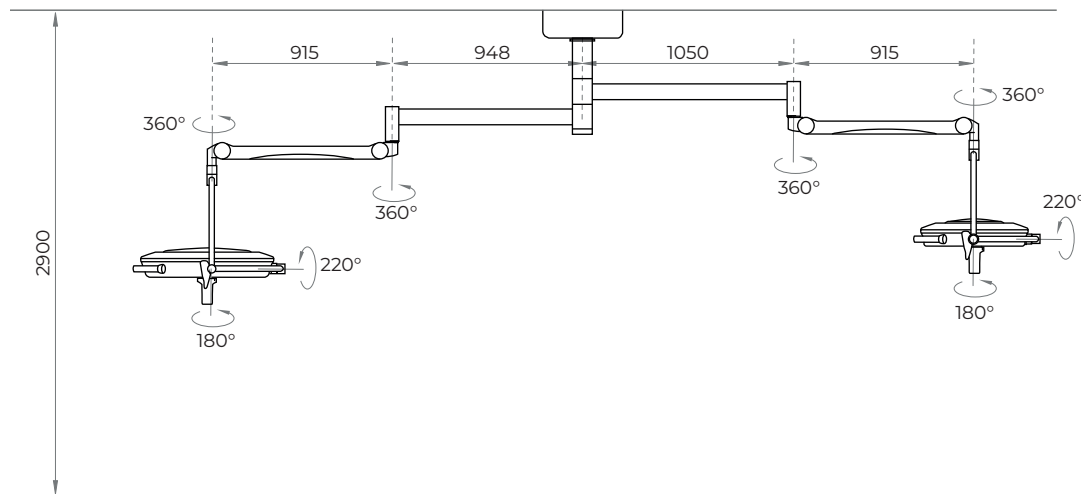




## DOUBLE HEAD

- 300,000 Lux (140,000 + 160,000)
- Ø reflector:500 + 700 mm

Code: **DE6.162**

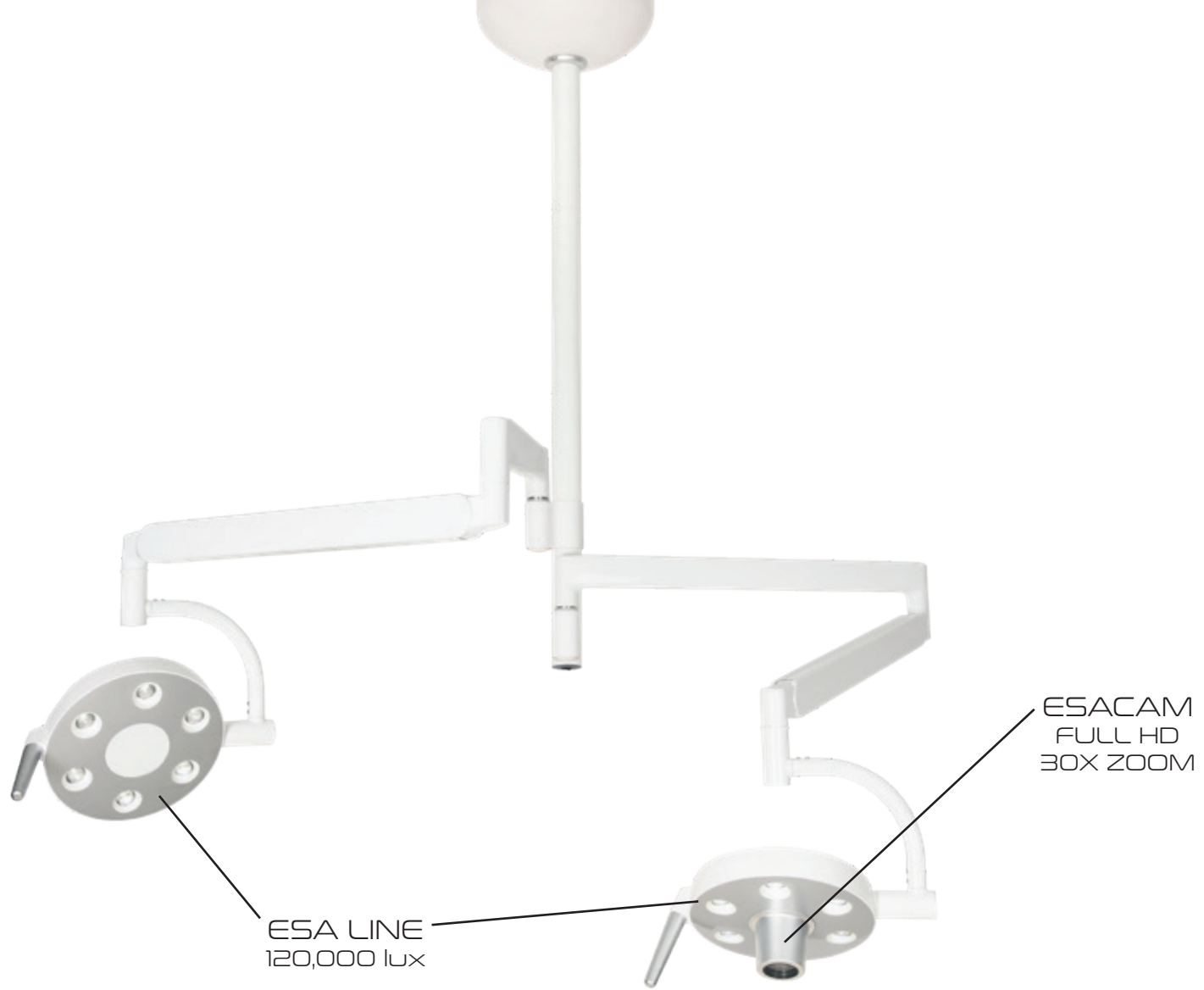


## COMMON FEATURES OF SURGICAL MULTILED LIGHTS

- Colour temperature: from 3300 to 5000 k°
- Colour rendering index (Ra):>95
- Illumination depth:≥1300mm
- Total irradiance:426 W/m<sup>2</sup>
- Bright field size:160 ~ 280mm
- LED bulb lifespan:50,000h
- Power supply:AC110-240v, 50/60Hz
- Total energy absorption:200 W
- Maximum installation height:2.9 metres
- Certification:93/42/EEC - 2007/47/CE – IEC62321
- Compliance with EN ISO 13485:2016 standards



Don't have the right tools to see the details?



Here's the solution

# ESA LINE

## ESALIGHT 2 - ESACAM







# Multimedia light



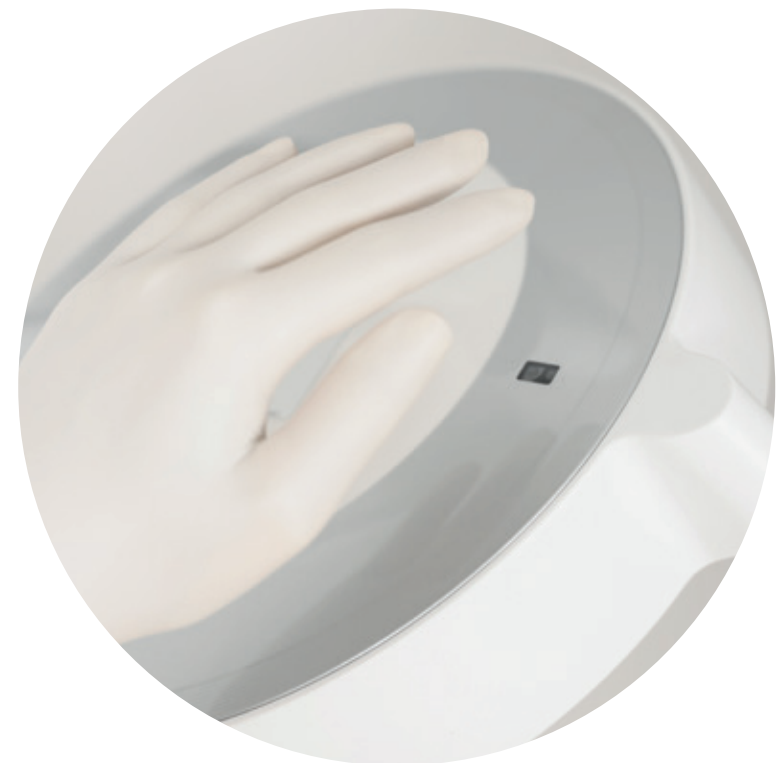
Also in dentistry a light must be designed to minimise the shadow effect generated on the operating area by partial and/or intermittent covering by the operators who get between the light and the patient. However, nowadays it is not always possible in practices to install operating lights due to their size and weight. Looking for that perfect light that is lightweight and compact has led to the creation of the Esa Line, a range conceived, designed and developed for the needs of dental surgeries.



Esa Line is therefore mounted as a classic dental light on the ceiling or on a stand. It offers a criss-cross system of 6 or 12 LED technology light beams that cover an 80x180 mm light spot. Its brightness is higher than other similar lights and adapts to any treatment thanks to the adjustable light intensity from 8,000 to 60,000 Lux (up to 120,000 lux in the 2-head version).

The sensor, positioned near the handle, lets you turn on, turn off and adjust the intensity of the light without touching the light itself, making it both practical and hygienic.

The handle can be detached and sterilised in an autoclave at 135° for quick and effective cleaning.



## TWO LIGHTS, INFINITE SOLUTIONS

The Esa Line consists of two lights: Esalight 2 and Esacam. Both lights have identical optical and structural data, what sets them apart is that Esacam has a built-in camera on the light itself. A solution that not only assists the dentist's view but opens up, as we will see later, new ways of working. Furthermore, the lights can be mounted on the ceiling or to the dental unit itself, on a single or double head (in this case it is possible to opt for Esalight 2 + Esacam), with or without a video camera.



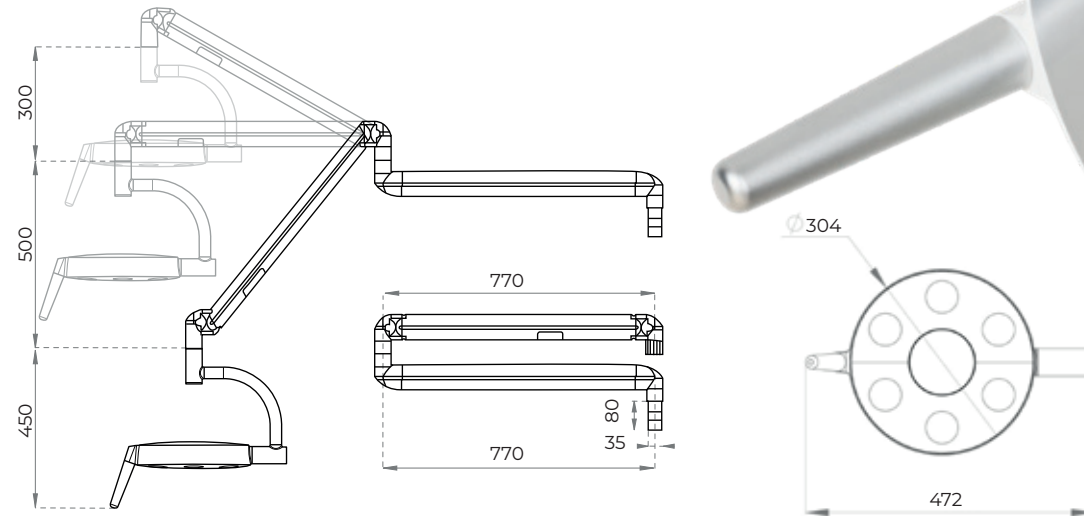
## COMMON FEATURES OF ESA LINE LIGHTS

- Colour temperature:5000K\* +/- 10%
- Colour rendering index (Ra):>95
- Spot dimensions:100 X 200 mm
- Intensity:8,000 - 60,000 Lux
- LED bulb lifespan:50,000h
- Removable handle for quick cleaning
- Power supply:240v, 50/60Hz
- Certification:93/42/EEC
- Compliance with EN ISO 13485:2016 standards

## ESALIGHT 2

- 60,000 Lux
- Sensor for adjustments

Code: **DE6.3023**



## Custom set-up



On the ceiling or on the unit? Single or double head? With or without video camera?

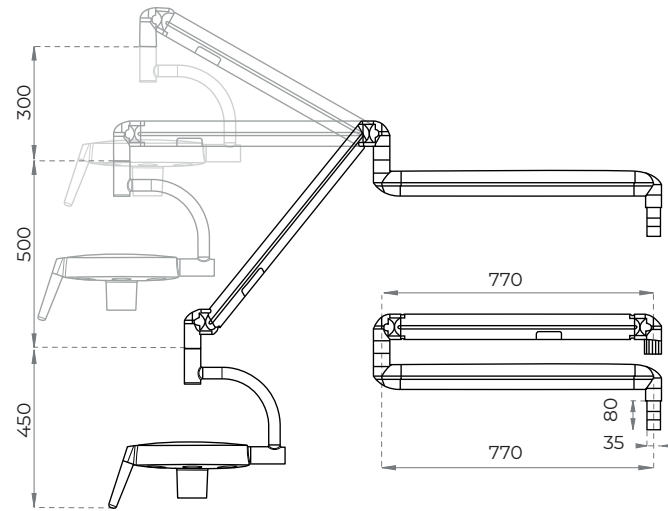
You can choose your ideal set-up. The 35mm pin allows the Esa Line to be fitted on the posts of the most popular dental units and is compatible with Tecnomed's proposed ceiling mounting. You can choose the length of the pole according to the height of the ceiling and, in the case of a double head, add the appropriate clamp.



## ESACAM

- 60,000 Lux
- Sensor for adjustments
- Full HD video camera with 30X Zoom and autofocus

Code: **DE6.3022R**



### 1450 MM POLE

- Mounting for heights from 2.7 to 3 metres
- Code: **DE6.3133**

### 1800 MM POLE

- Mounting for heights from 3.1 to 3.4 metres
- Code: **DE6.3160**

### ADDITIONAL CLAMP

- Only required for double head set-up
- Code: **DE6.302XR.04**

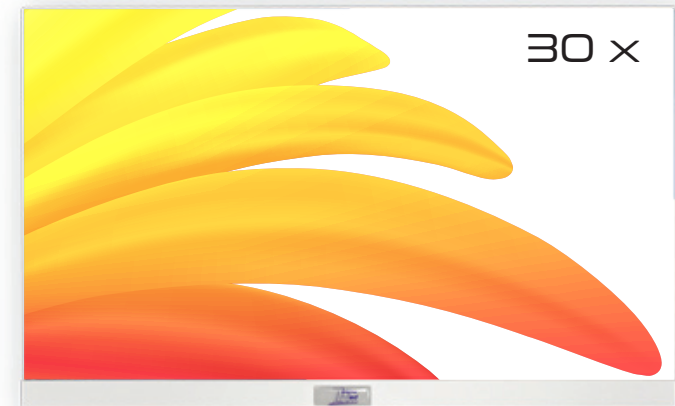
### SOLUTIONS



Here are all the possible solutions and technical features for ceiling mounting.

# See the impossible

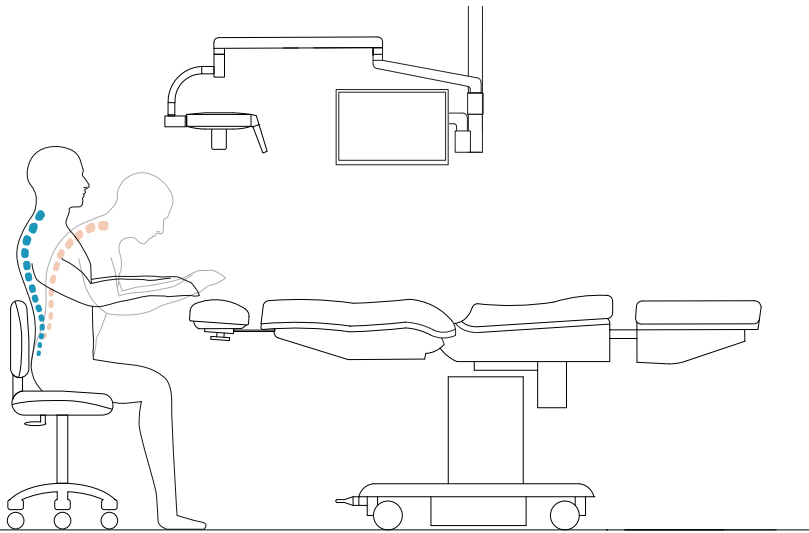
The quality of work depends entirely on being able to see even the minutest of detail in the operating area. Esacam lets you do that. It looks like a traditional operating light but has a built-in Full HD video camera with a 30x optical zoom and autofocus. This means optimal vision that allows you to view and zoom in on the operating area so as to highlight details that are difficult to see with the naked eye. In this way, the professional's abilities are amplified and, last but not least, visual fatigue is also prevented. Today, easily documenting, recording or sharing images and videos is within everyone's reach thanks to the Esacam operating light.



## EVERYTHING IS UNDER CONTROL

As we have seen, with the Esa Line it is possible to manage the lighting settings thanks to a sensor near the handle. It is therefore possible to turn it on, off and adjust its brightness in an easy way without touching it.

With the Esacam light all the lighting and video camera functions are managed by a practical remote control which, in particular situations, is more comfortable and practical than the standard controls on the light itself as you don't need to get up to make any adjustments and an assistant can manage everything for you. The camera functions managed by the remote control are zoom, focus distance and 180° screen rotation.



## QUALITY AND HEALTH

The brightness of the light, designed to perfectly illuminate the operating area and prevent any shadows, together with the camera, which thanks to the 30x zoom and the autofocus provides macro and detailed images, means no visual fatigue for the professional who can work in a healthy way.

Therefore the monitor lets you work with indirect vision, i.e. looking directly at the screen without having to bend over the patient's oral cavity. This lets you maintain correct posture and work better.

In this way, occupational diseases related to both the eyes and spine are prevented.

# Communicate



## PATIENT-CENTRICITY

Patients today are looking for transparency, sharing of processes, practices and end results. The effective implementation of these values leads to the creation of patient-centricity which means putting the patients first through their open and continuous involvement, with the goal of providing them the very best experience. Esacam therefore becomes a key tool: communicating with images is the simplest and most effective way to relate to the patient.

As a result, Esacam is recommended as an indispensable tool for professional working both during operations and for communicating with the patient. But the possibilities don't stop there. Thanks to the HDMI output it is possible to connect different devices depending how you want to utilise the images: view, record, project, share, and stream.



MONITOR AND MONITOR/PC TO BE COMBINED WITH ESACAM?

Here are Tecnomed's proposals with their technical data sheets.

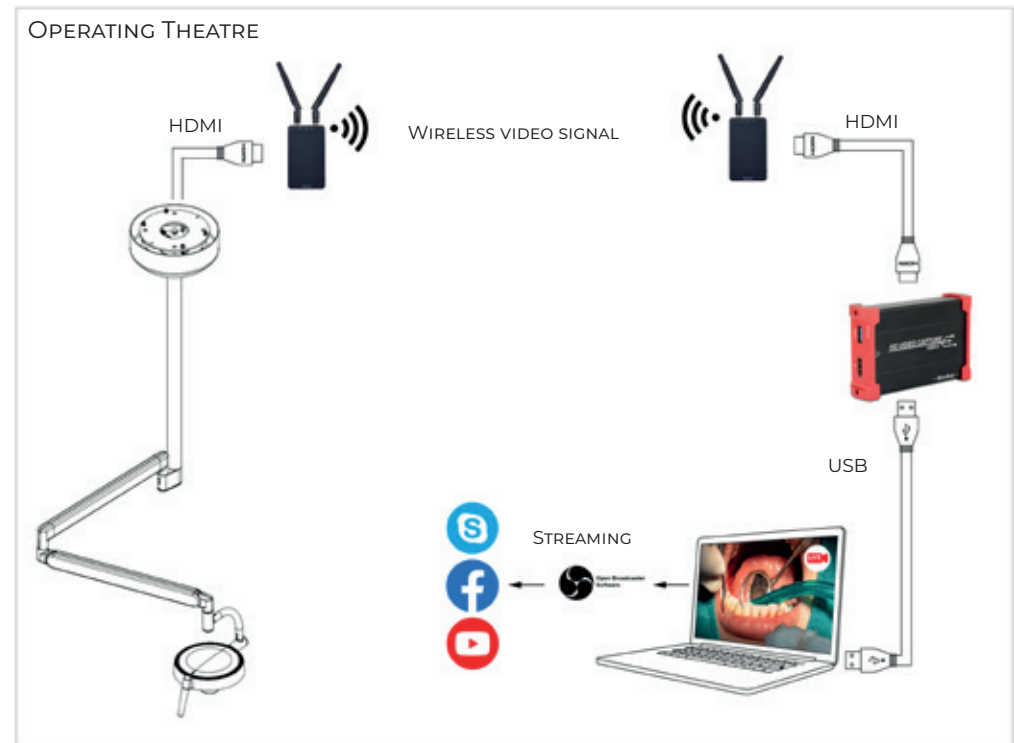


## SET IT UP AS YOU WISH

Here are some set-up ideas designed to expand your possibilities:

- see the images on the monitor and record them on external HD;
- see the images on remote monitor (wireless) and record them on external HD;
- see the images on the monitor and record them on a PC also in streaming;
- see and record the images on the PC on the light pole also in streaming;
- see and record the images on the PC on the light pole also in streaming, see the images also on a remote monitor or video projector (wireless);
- record on the PC in streaming watching the live broadcast on the monitor on the light pole (wireless).

Tecnomed also provides a range of devices specifically chosen to work with Esacam for an even more comprehensive set-up.



## SEE, RECORD AND SHARE

Here is an example set-up so you can see for yourself the potential we are talking about. With this setting it is possible to operate by sending the video signal in real time (with wireless technology) to a laptop that offers the possibility of streaming: now we can show the live video online to whomever we want. In this case, as no cable running is required, it is not necessary to carry out any masonry work besides that of installing the light itself. Esacam also proves to be an extremely useful tool in teaching, for conferences and congresses: it lets you give presentations, document, show, demonstrate practical exercises and clinical decisions.

LIVE  
STREAMING



## Video devices



- Wireless audio/video transmitter  
Code: **DE6.302XR.00**



- HDMI/USB audio/video dongle  
Code: **DE6.302XR.2**



- Audio extractor from HDMI  
Code: **DE6.302XR.2.3**



- PC-free video recorder  
Code: **DE6.302XR.4**



- 2 TB Hard Disk  
Code: **DE6.302XR.2.3**



- 1X2 HDMI splitter  
Code: **DE6.302XR.4**



ARRANGE THE ACCESSORIES  
ACCORDING TO YOUR NEEDS  
Find your ideal set-up in our in-  
depth look.



# Surgical Lights Line



**Tecnomed Italia s.r.l.** · Via Salvador Allende n.2, 61040 Castelvecchio di Monte Porzio (PU) · Italy  
Phone +39 0721 955125 · Fax +39 0721 95 52 29 · [www.tecnomeditalia.com](http://www.tecnomeditalia.com)