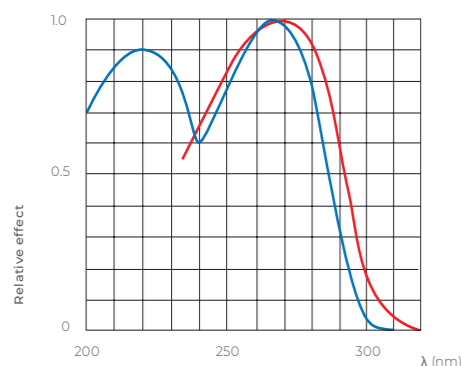




# UV-C Light

- General elimination of bacteria
- Deactivation of escherichia coli



## Germicidal lamps

UV-C radiation has a photolytic effect on DNA, microorganisms such as bacteria, moulds, yeasts and virus cannot replicate. The purification effect is obtained with wavelengths below 320 nm, with maximum effectiveness at 260 nm. Our germicidal lamps emit light at 254 nm, about 85% of maximum effectiveness, and are ozone-free.

## Purification of the environment

Ultraviolet (UV) purification is a very effective method to get rid of biological pollutants such as bacteria, viruses and fungal spores living in our environment. Lighting fittings with UV germicidal lamps are very efficient. To ensure a better result the UV tube is not covered.

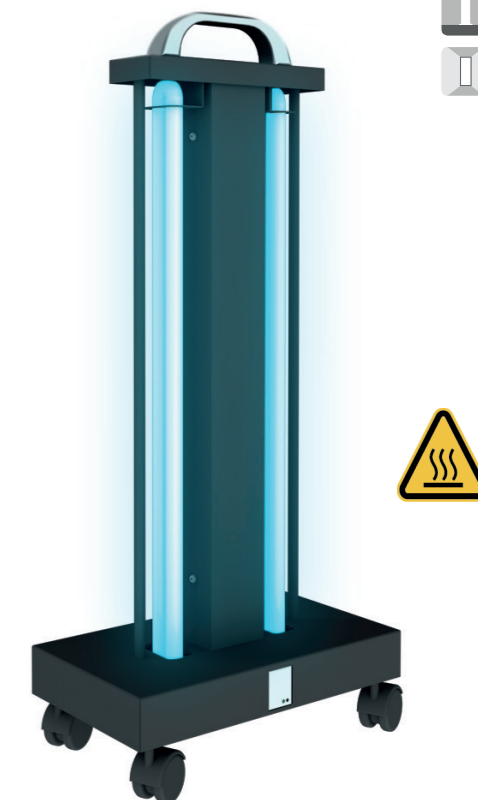
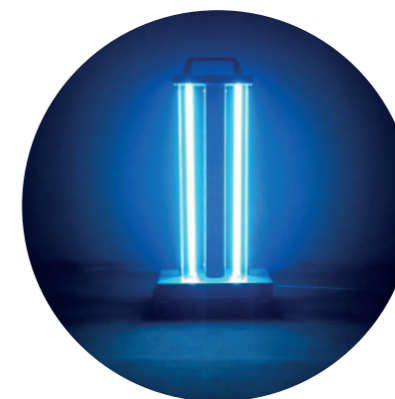
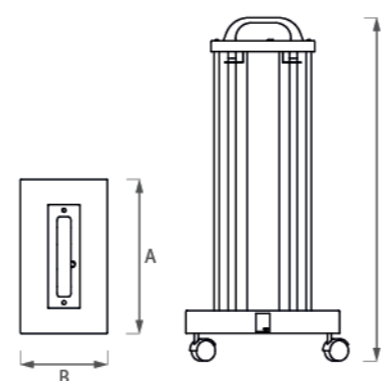


- Hospitals
- Doctors' practices
- Clean rooms
- Offices with or without air-conditioning systems
- Storage rooms
- Food processing
- Rooms with frequent public access
- Animal stalls

**UVC TUBES are classified according IEC/EN 62471 (photo biological risk): Risk Group 3.** The radiation from this UVC lamps poses a health risk. Lighting fittings with UV lamps are specially designed for disinfection of the air in rooms not occupied by people. Indeed, the reflections of the ceiling and walls, and the presence of free radiation produced by the appliances can cause propagation of ultraviolet waves that cause conjunctivitis and erythema. It is necessary to protect skin and eyes against direct exposure, wearing suitable protective clothing. **UVC lamps are not be used for General Lighting application.**



# Moovi UV



### CYCLE OF PURIFICATION

Ignition at 1 minute from START  
Duration: 30 minutes



### MOTION DETECTOR

If you enter the room, the UV cycle is temporarily interrupted



### CONNECTION

The appliance is equipped with an exit cable 3 m long

CE IP20

Models	MOOVI UV		
Body	Steel sheet body (10/10) painted with black polyester powders matt finishing (RAL 9005).		
Wiring	CEL version with electronic ballast EEI=A2, 230V 50Hz, heat ignition, power factor 0,98.		
Luminous source	Luminous source FC-L compact fluorescent lamp, UV-C lamp with wavelength 254 nm, lamp coupling 2G11.		
Power	2 x 55W		
Dimensions [mm]	A: 300	B: 170	H: 670
Suitable for a room of	Up to 25 m <sup>2</sup>		
Luminaire in conformity with	EN 60598 EN 55015, EN 61000 EN 60529	electric security electromagnetic compatibility protection degree	

We recommend the use of the appliance in the absence of people inside the room